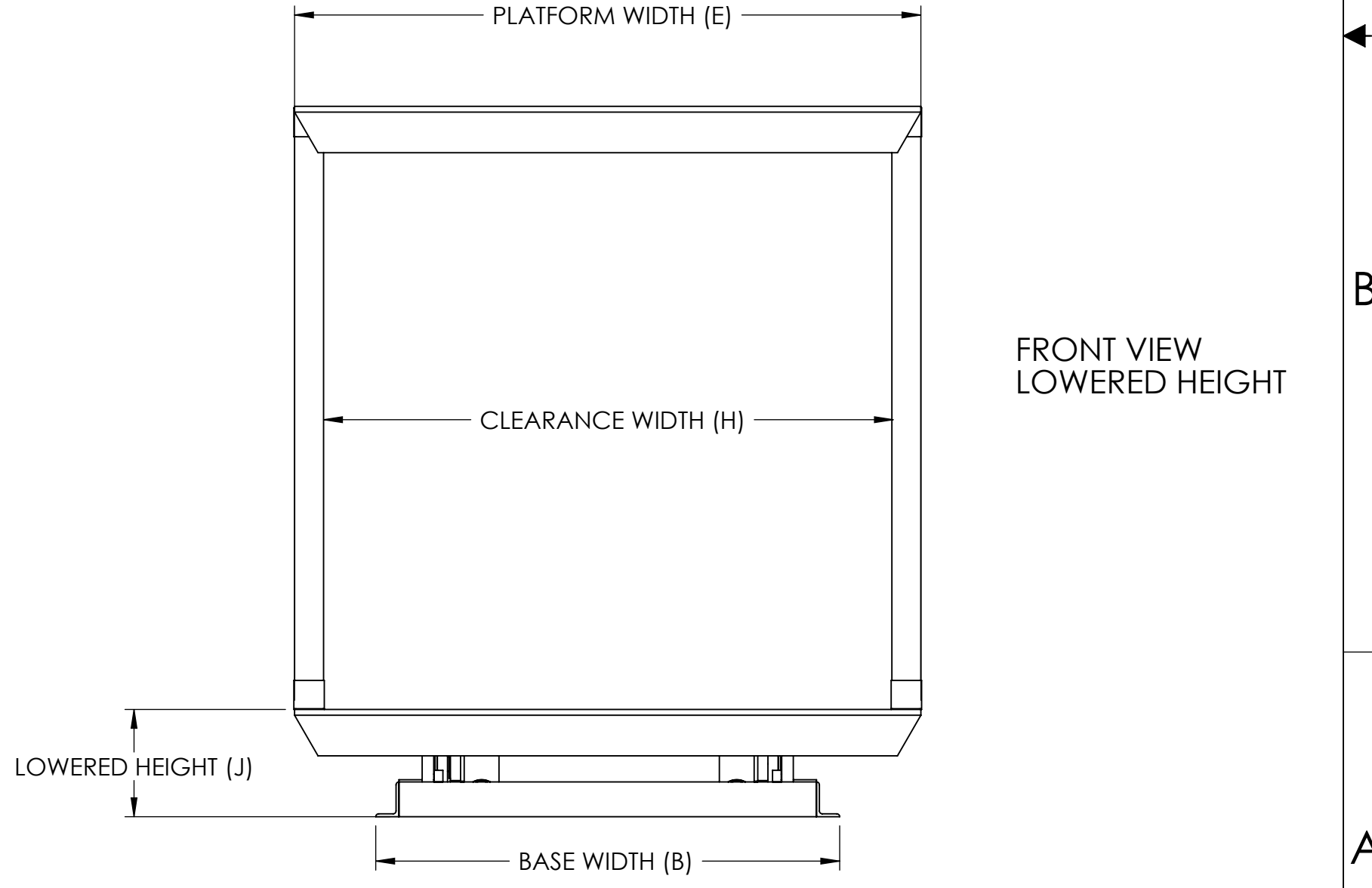
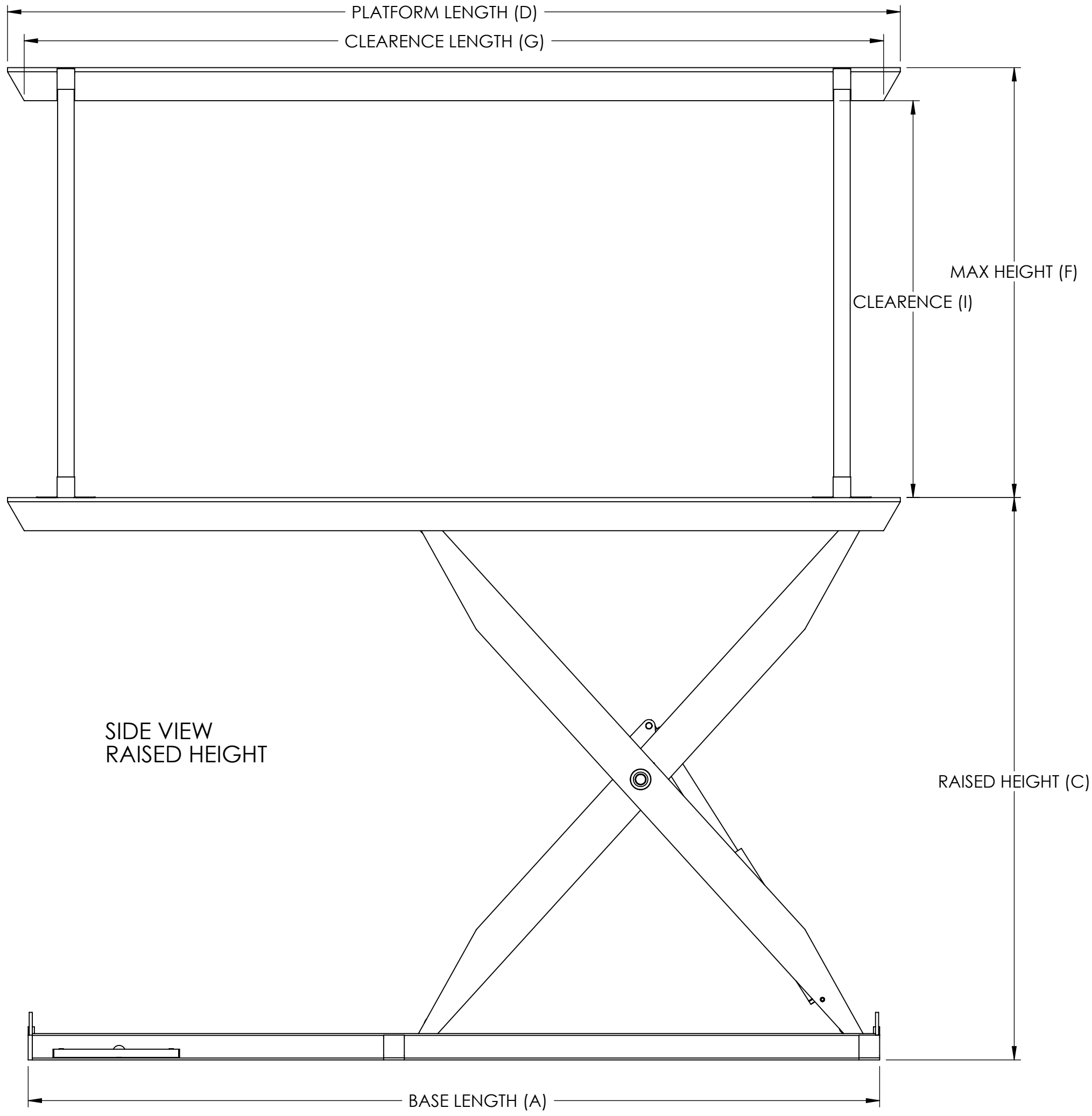
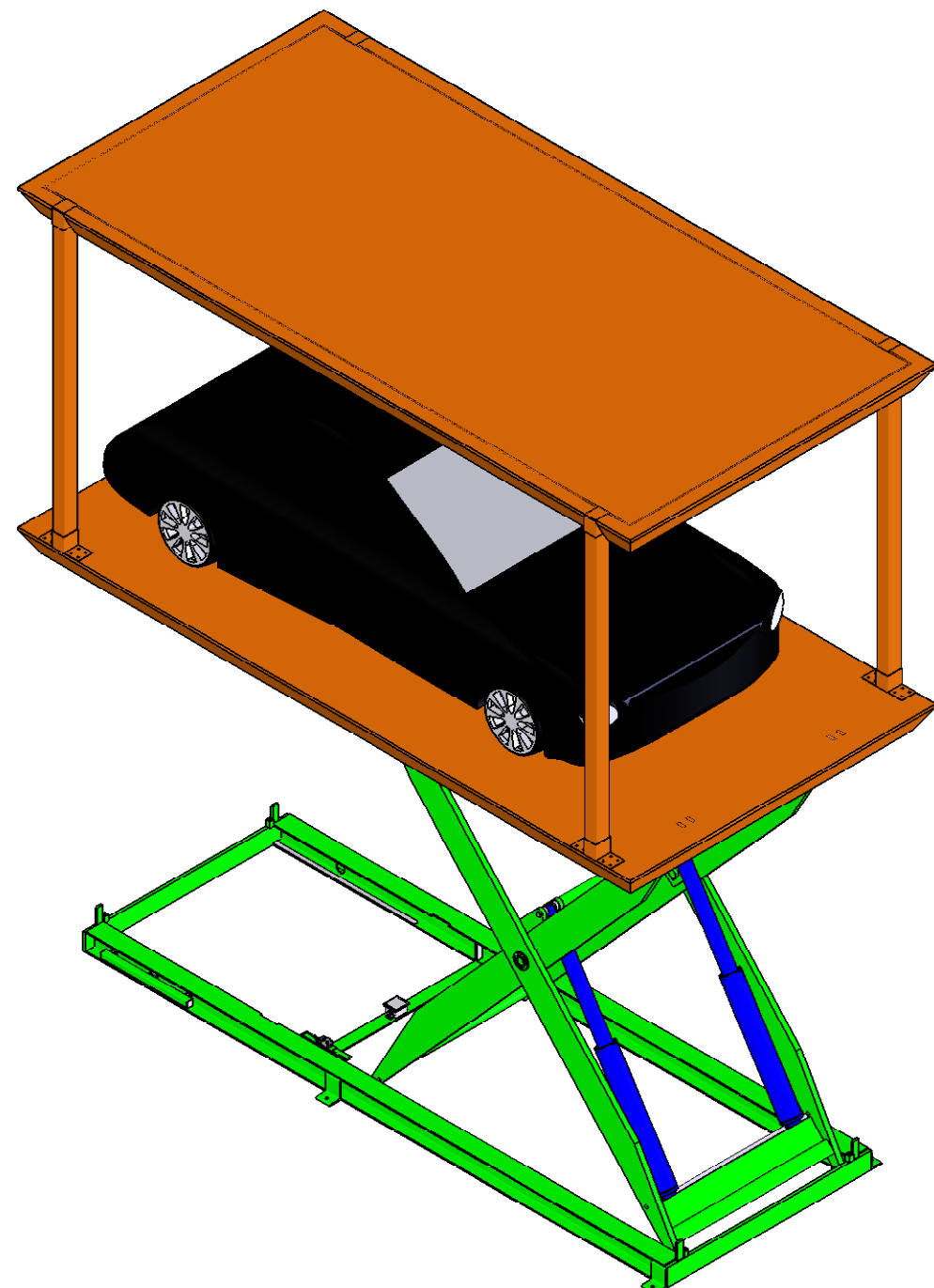


THIS DRAWING IS FOR CONCEPT ONLY.
 DETAILED APPROVAL DRAWINGS WILL BE DRAFTED ONCE
 THE ORDER IS PLACED

Measurement Letter	Measurement Value
A	206"
B	72"
C	144"
D	216"
E	108"
F	264"
G	208"
H	100"
I	113" approx.
J	20"



<p>3RD ANGLE PROJECTION</p>	<p>FRACTIONS: + 1/32, .XXX ± .005, .XX ± .01, ANGLES: ± .5°</p> <p>UNLESS OTHERWISE SPECIFIED, DIMENSIONS ARE IN INCHES</p>	<p>SOUTHWORTH Southworth Products Corp. P.O. Box 1380 Portland, Maine 04104-1380</p>		<p>DR - DATE - CK - DATE - MFG - DATE -</p>	
	<p>USE OF PROPRIETARY INFORMATION LIMITED TO WRITTEN AGREEMENT</p>	<p>REFERENCE -</p>	<p>CAGE CODE 06378</p>	<p>WT 119049.3 LBS</p>	<p>SCALE 1:32</p>
<p>MODEL TITLE: TL DL7-44W PHANTOM PARK LIFT</p>		<p>SIZE C</p>	<p>DWG. NO. 60030228</p>	<p>SHEET 1 OF 1</p>	<p>REV -</p>